

Merlin

ME 2048/3048 D



ME 3048 D

Description

The Merlin is a rotary, non-contacting, claw-type combination pump that provides both pressure and vacuum with independent, completely oil free, pumping chambers. Professional printers appreciate the Merlin's extreme tolerance of paper dust and its low cost of ownership.

Low Ownership Cost

Maintenance – with non-contacting, claw-type rotors there are no vanes to wear or replace so there is no downtime.

Small motor – because the rotors are friction free, the Merlin uses a smaller motor which consumes less energy than other types of pumps. Even a single Merlin pump can save almost \$2,000 a year in electrical costs.

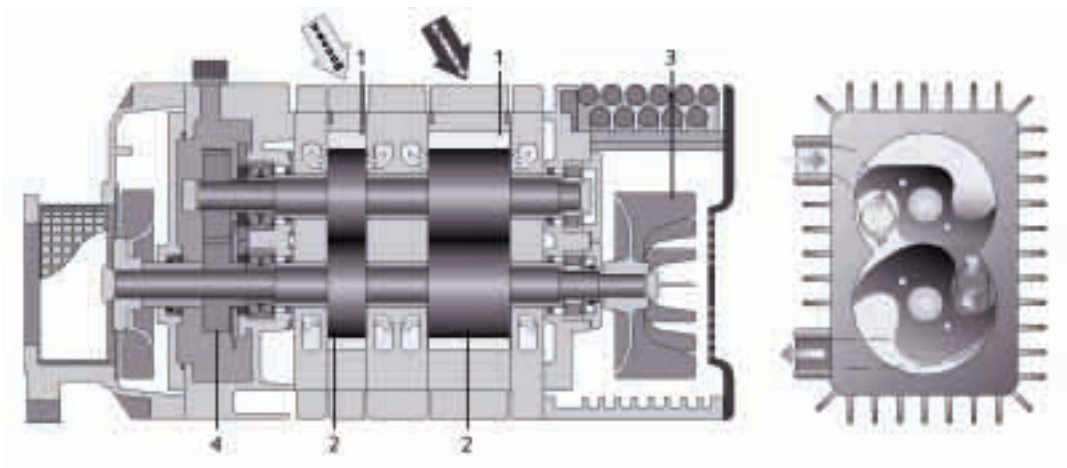
Ownership analysis – Call us at 1-800-USA-PUMP for a free cost of ownership analysis, and find out how the Busch Merlin may be an ideal replacement for your current pump.

Features

- Non-wearing, non-contacting, double claw-type design
- Dry pumping chambers
- Separate pressure and vacuum chambers
- Air-cooled
- Compact
- Simple, modular construction
- Cooling coils for blast air
- Long life, low maintenance
- Quiet

Pressure/Vacuum Pumps for the Printing Industry

Operating Principle



1. Compression chamber 2. Rotary claw 3. Fan 4. Gear

Operating Principle

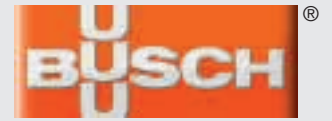
Two non-contacting claws trap a volume of air at the inlet and convey it to the exhaust where it is compressed and discharged.

Printing Applications

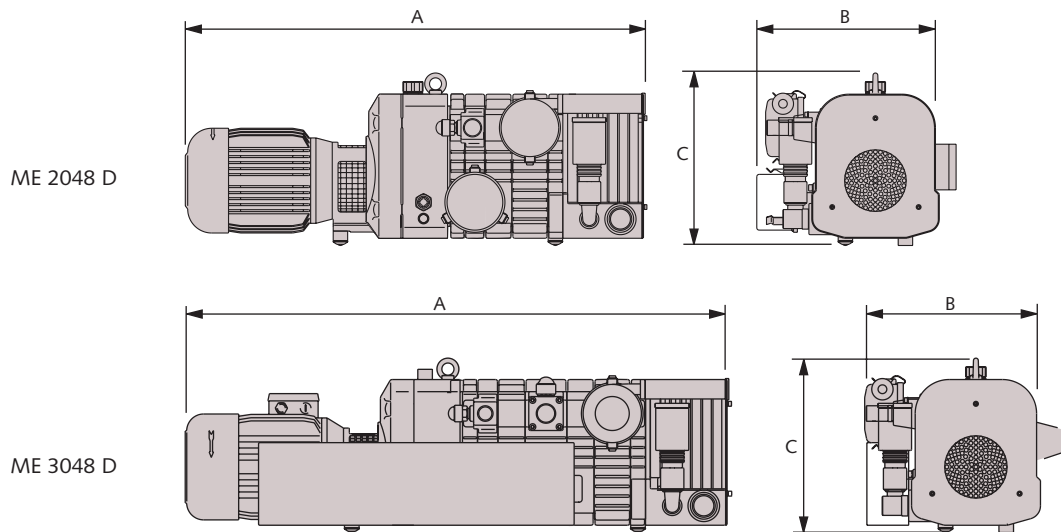
- Binders
- Cartoners
- Casemakers
- Coaters
- Copy Cameras
- Die Cutters
- Feeders
- Folders
- Heat Sealers
- Hot Foil Stampers
- Inserters
- Joggers
- Printing Presses
- Paper Cutters
- Perforators
- Platemakers
- Saddle Stitchers
- Scorers
- Stackers
- Shrink Wrappers
- Silk Screening
- Stitchers
- Tipplers



Technical Data						
Model		ME 2048 D*			ME 3048	
Maximum vacuum (1st stage)	("Hg)	18	18	18	18	18
Maximum vacuum (2nd stage)	("Hg)	N/A	N/A	N/A	15	15
Maximum pressure	(psig)	10	15	10	10	10
Motor rating	(kW)	2.6	3.6	4	3.6	5.5
Approx. weight	(Lbs)	328	328	363	397	418
Motor speed	(RPM)	1800	1800	2400	1800	2400
Sound rating	(dBA)	76	76	80	77	80
		* Technical data on pump models varies depending on motor speed and pressure relief valve. Consult factory for details.				



Dimensions



Dimensions	Pump RPM	A	B	C
ME 2048 D	1800	37 ¹³ / ₁₆	14 ¹⁵ / ₁₆	14 ³ / ₁₆
ME 2048 D	2400	42 ³ / ₁₆	14 ¹⁵ / ₁₆	14 ³ / ₁₆
ME 3048 D	1800	44 ³ / ₁₆	14 ¹ / ₄	14 ³ / ₁₆
ME 3048 D	2400	48 ¹¹ / ₁₆	14 ¹ / ₄	14 ³ / ₁₆

All dimensions in inches unless otherwise noted.



Busch - all over the world in industry

ISO 9001 Registered Company

**Busch, Inc. 516 Viking Drive Virginia Beach, VA 23452
Phone (757) 463-7800 FAX (757) 463-7407**

**www.buschpump.com
1-800-USA-PUMP**

Amsterdam Barcelona Birmingham Basel Brussels Dublin Göteborg Helsinki Istanbul Copenhagen Kuala Lumpur Milan Maulburg Melbourne Montreal Moscow
New York New Plymouth Oslo Paris San Jose São Paulo Seoul Singapore Taipei Tokyo Vienna